

SAVE

Save parameters

All parameters are saved if **YES** is selected, and the scale will reboot. If **NO** is selected, settings are not saved and the scale returns to its basic weighing mode.

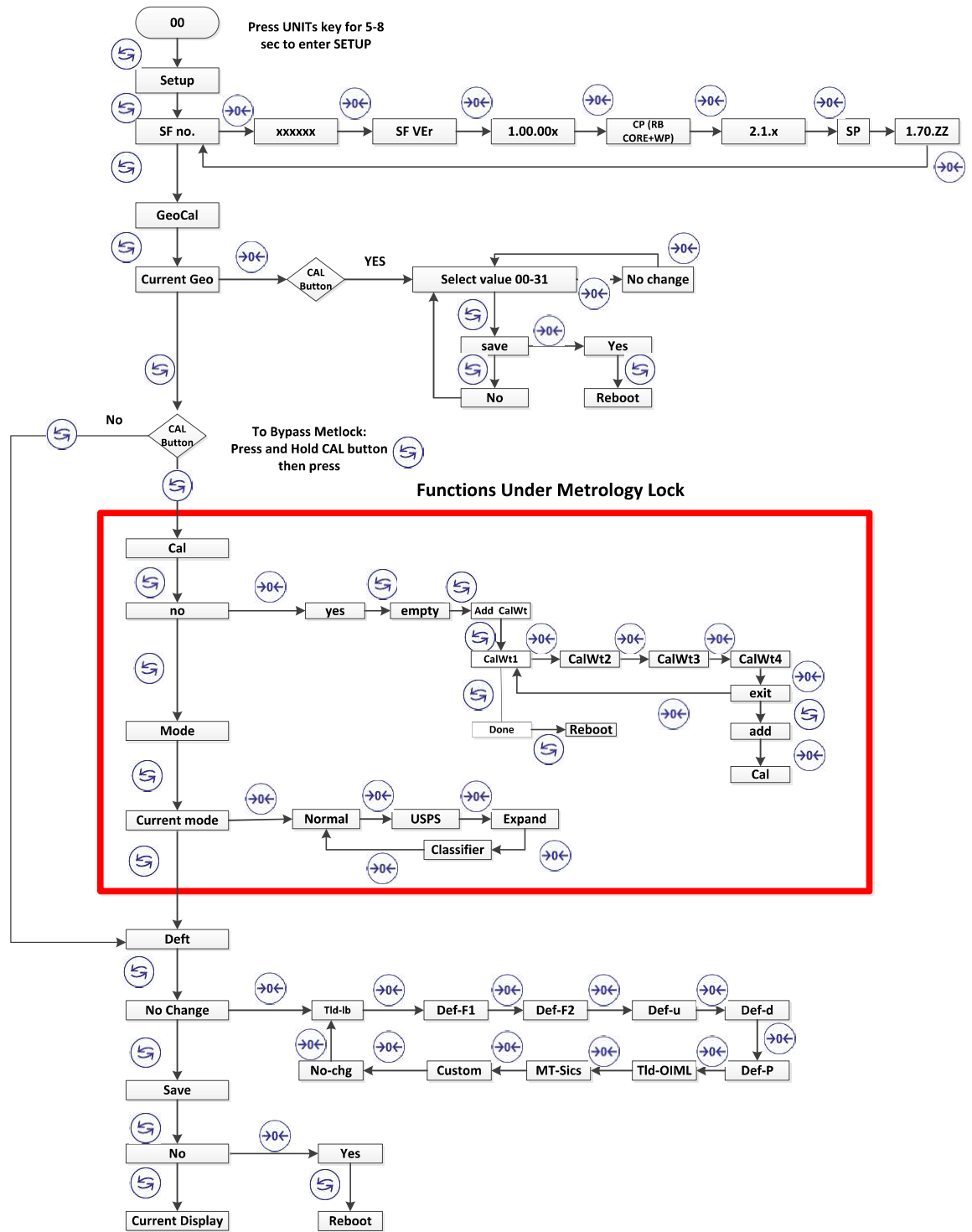


Figure 4-56: Parameter Configuration Using 7-Segment Display

4.15. Metrological Sealing

If a wire seal is required for Weights and Measures approval, the BC scale can be sealed after calibration and setup by installing a wire seal on the Main PCB access cover,

BC-15 Single seal Loop the wire through the holding screw for PCB cover and holes in the plastic cover

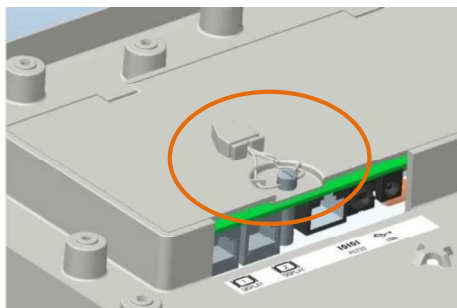


Figure 4-57: BC-15 Sealing

BC-60 Two seals
BC-6L
BC-30
BC-3L

Loop the wires through:

1. The holding screw for the PCB cover on the bottom of the scale (left, in Figure 4-58).
2. The green cap and tab hole on the housing scale (right, in Figure 4-58).

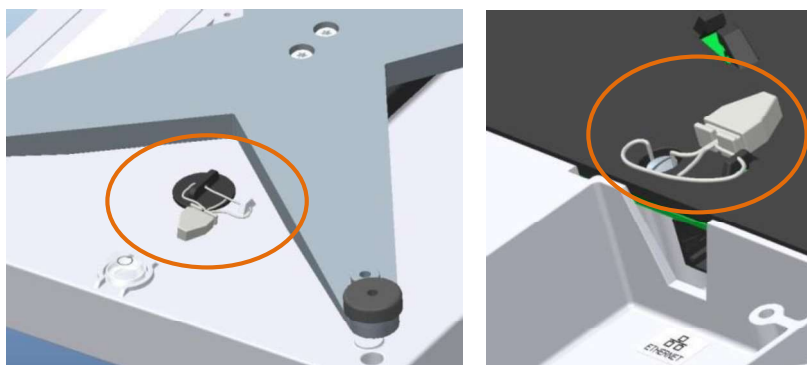


Figure 4-58: BC-60, -6L, -30 and -3L Sealing

BC-150 Two seals

1. Loop the wire through the holding screw for the PCB cover on the bottom of the scale (left, in Figure 4-59).
2. Loop the wire through the two drilled-head screws over the calibration switch (right, in Figure 4-59).